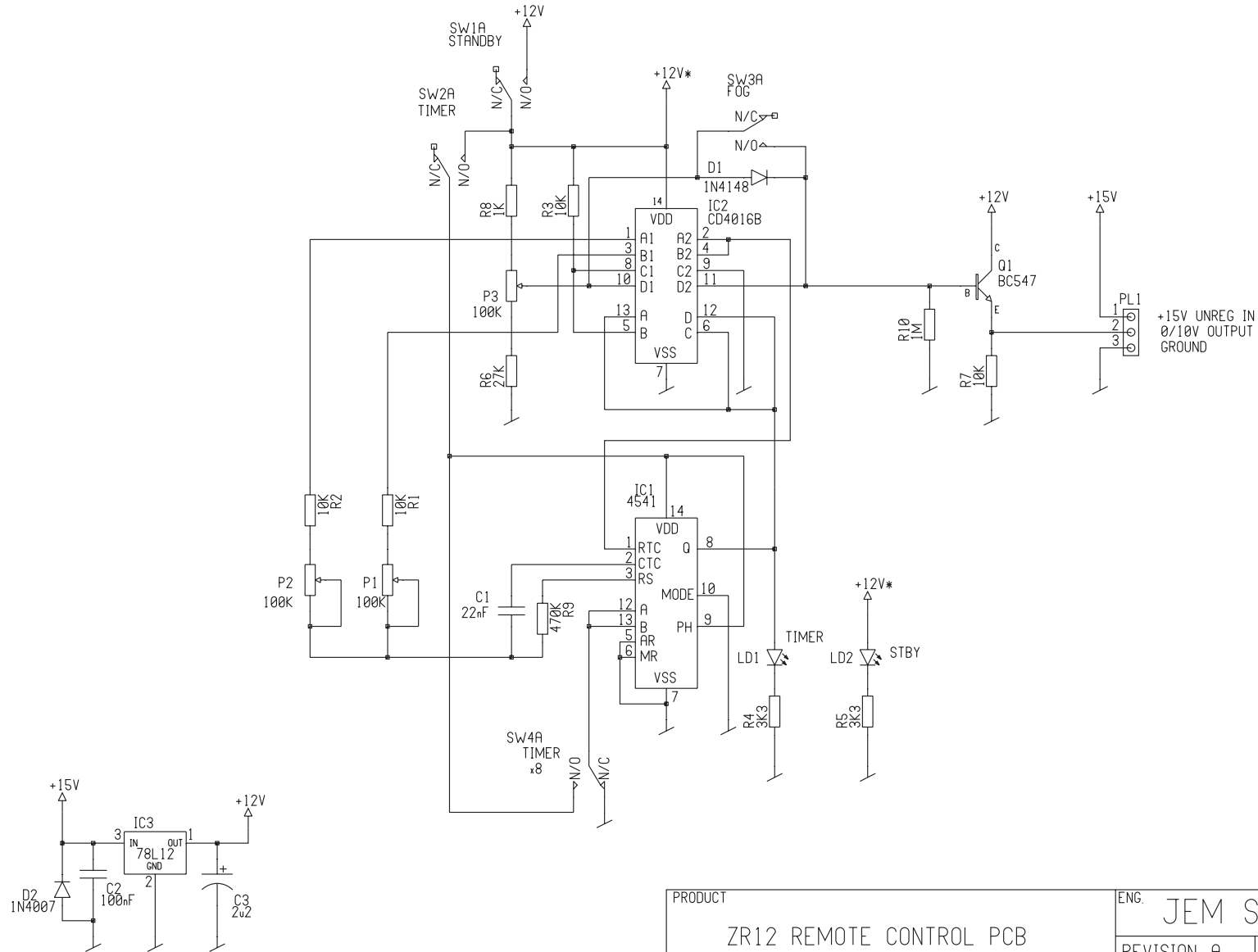


PRODUCT		ENG.	
ZR12 MAIN PCB SCHEMATIC		Martin Professional A/S	
REVISION A	PAGE 1	OF 1	
DRAWN BY NJS			
NAME	174021.SCH/103020B.PCB	DATE 02/09/98	TIME 13:31



PRODUCT		ENG. JEM SMOKE PLC	
ZR12 REMOTE CONTROL PCB		REVISION A	PAGE 1 OF 1
NAME		DRAWN BY NJS	
174022.SCH/37045A.PCB		DATE 07/09/98	TIME 10:57